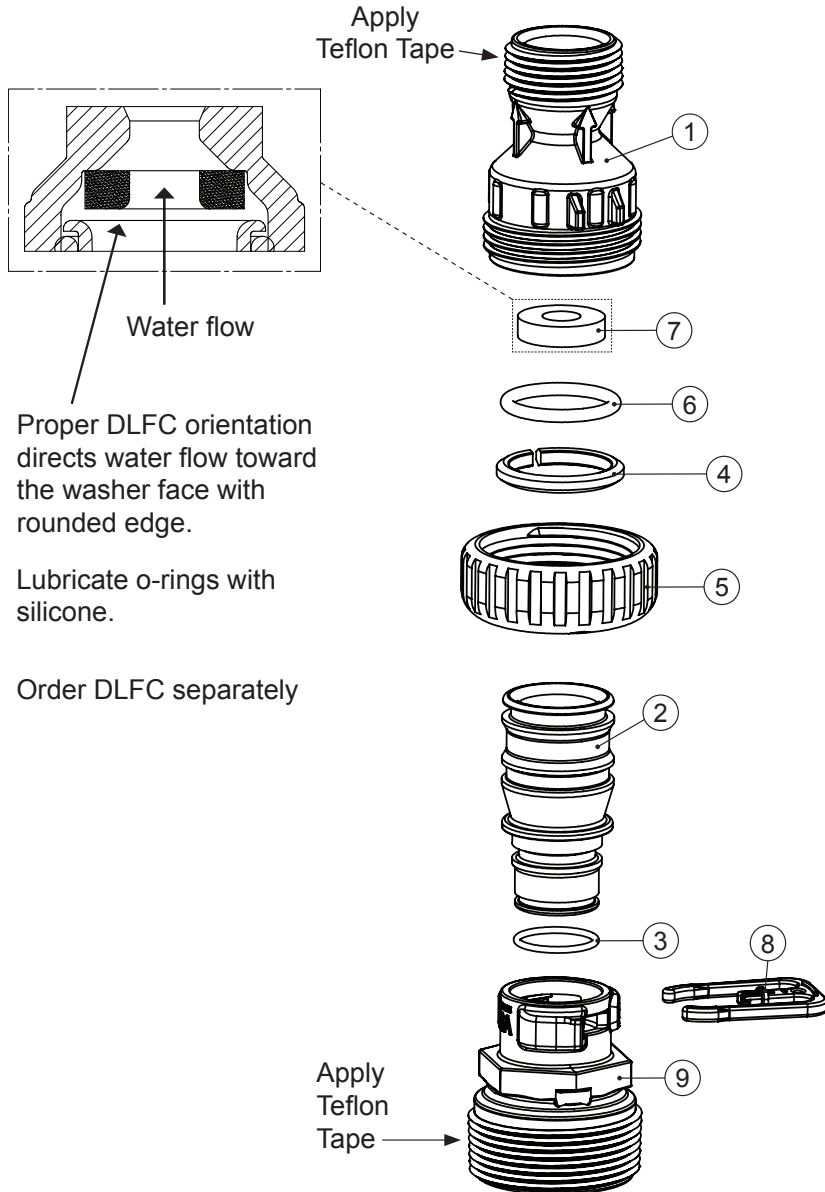


Order No. V3008-05

Description: WS2 Drain Fitting 1" Male NPT Straight without Silencer

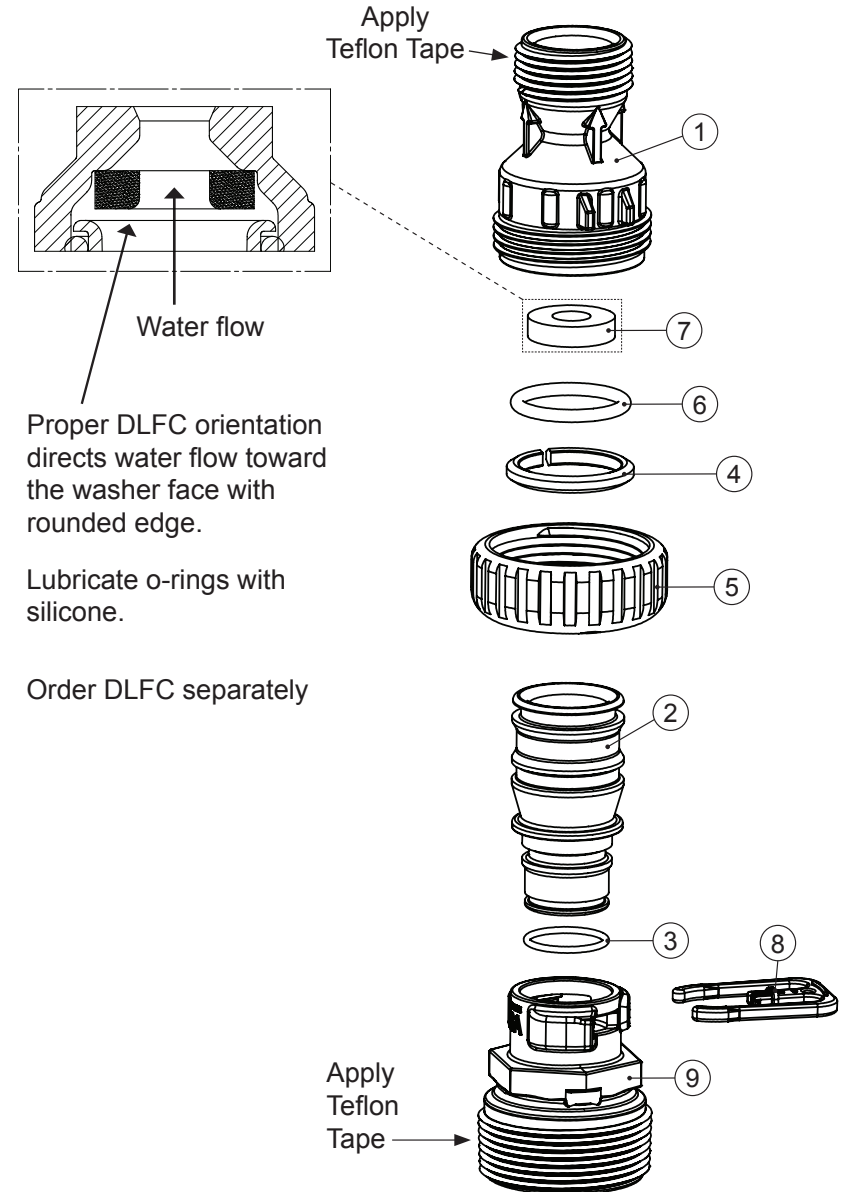
HYDROCARBONS SUCH AS VASELINE®, PETROLEUM JELLY, KEROSENE, BENZENE, GASOLINE, ETC., WILL DAMAGE PRODUCTS THAT CONTAIN O-RINGS OR PLASTIC COMPONENTS. EXPOSURE TO SUCH HYDROCARBONS MAY CAUSE THE PRODUCTS TO LEAK. DO NOT USE CLACK CONTROL VALVE PRODUCT(S) ON WATER SUPPLIES THAT CONTAIN HYDROCARBONS SUCH AS KEROSENE, BENZENE, GASOLINE, ETC.



Order No. V3008-05

Description: WS2 Drain Fitting 1" Male NPT Straight without Silencer

HYDROCARBONS SUCH AS VASELINE®, PETROLEUM JELLY, KEROSENE, BENZENE, GASOLINE, ETC., WILL DAMAGE PRODUCTS THAT CONTAIN O-RINGS OR PLASTIC COMPONENTS. EXPOSURE TO SUCH HYDROCARBONS MAY CAUSE THE PRODUCTS TO LEAK. DO NOT USE CLACK CONTROL VALVE PRODUCT(S) ON WATER SUPPLIES THAT CONTAIN HYDROCARBONS SUCH AS KEROSENE, BENZENE, GASOLINE, ETC.



Order No. V3008-05

**Description: WS2 Drain Fitting 1" Male NPT Straight
without Silencer**

DRAWING NUMBER	ORDER NUMBER	DESCRIPTION	QTY
1	V3166-01	WS1 FTG FLOW CONTROL BODY	1
2	V3167	WS1 DRAIN FTG ADAPTER 1	1
3	V3163	O-RING 019	1
4	V3150	WS1 SPLIT RING	1
5	V3151	WS1 NUT 1" QC	1
6	V3105	O-RING 215	1
7*	V3190-090	WS1 DLFC 9.0 GPM FOR 1	ONE DLFC MUST BE USED IF 1" FITTING IS USED.
	V3190-100	WS1 DLFC 10.0 GPM FOR 1	
	V3190-110	WS1 DLFC 11.0 GPM FOR 1	
	V3190-130	WS1 DLFC 13.0 GPM FOR 1	
	V3190-150	WS1 DLFC 15.0 GPM FOR 1	
	V3190-170	WS1 DLFC 17.0 GPM FOR 1	
	V3190-200	WS1 DLFC 20.0 GPM FOR 1	
	V3190-250	WS1 DLFC 25.0 GPM FOR 1	
8	H4615	CLIP RETAINING	1
9	V3983	WS2 DLFC ADAPTER	1

* Order DLFC separately.

Order No. V3008-05

**Description: WS2 Drain Fitting 1" Male NPT Straight
without Silencer**

DRAWING NUMBER	ORDER NUMBER	DESCRIPTION	QTY
1	V3166-01	WS1 FTG FLOW CONTROL BODY	1
2	V3167	WS1 DRAIN FTG ADAPTER 1	1
3	V3163	O-RING 019	1
4	V3150	WS1 SPLIT RING	1
5	V3151	WS1 NUT 1" QC	1
6	V3105	O-RING 215	1
7*	V3190-090	WS1 DLFC 9.0 GPM FOR 1	ONE DLFC MUST BE USED IF 1" FITTING IS USED.
	V3190-100	WS1 DLFC 10.0 GPM FOR 1	
	V3190-110	WS1 DLFC 11.0 GPM FOR 1	
	V3190-130	WS1 DLFC 13.0 GPM FOR 1	
	V3190-150	WS1 DLFC 15.0 GPM FOR 1	
	V3190-170	WS1 DLFC 17.0 GPM FOR 1	
	V3190-200	WS1 DLFC 20.0 GPM FOR 1	
	V3190-250	WS1 DLFC 25.0 GPM FOR 1	
8	H4615	CLIP RETAINING	1
9	V3983	WS2 DLFC ADAPTER	1

* Order DLFC separately.